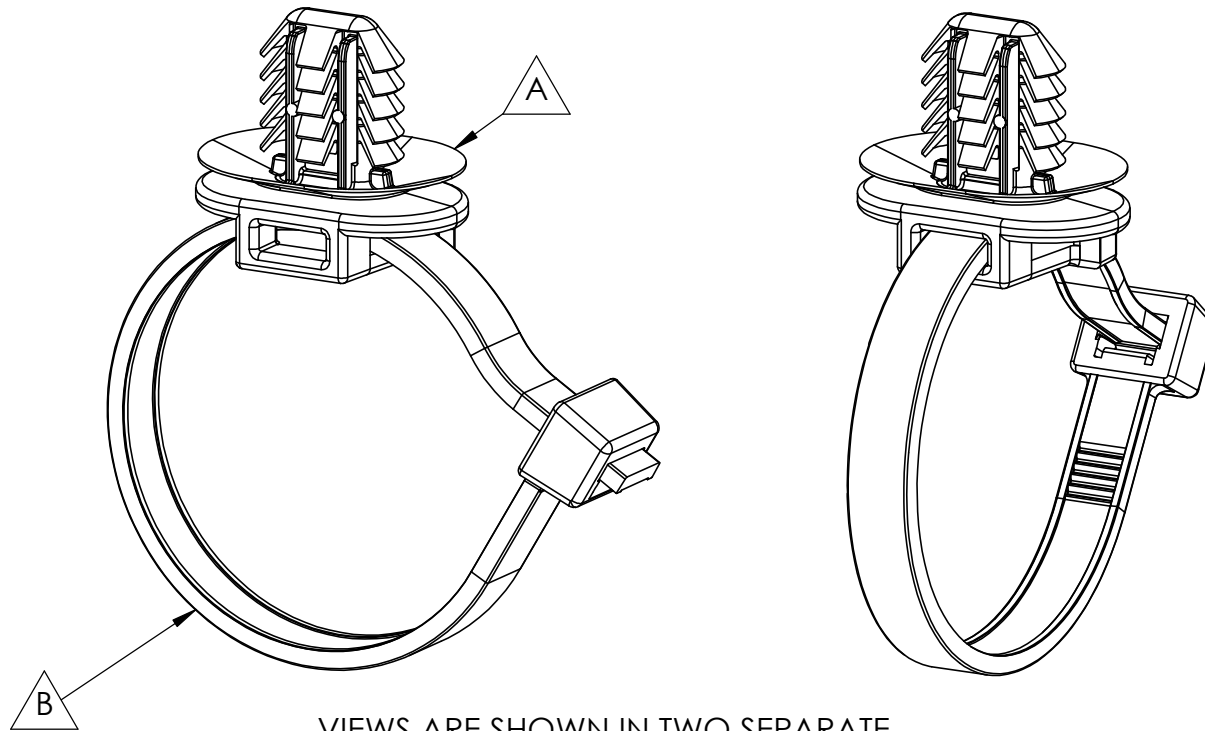


# AVERY DENNISON MARKETING SPECIFICATION

© 2021 AVERY DENNISON CORPORATION. ALL RIGHTS RESERVED

## HISTORY

REV.	DATE	DESCRIPTION
A	05.17.21	RELEASED



VIEWS ARE SHOWN IN TWO SEPARATE ASSEMBLED CONFIGURATION

NOTES:

1. SEE SPECIFIC OVAL FIR TREE CLIP AND CABLE TIE MARKETING SPECS FOR ADDITIONAL PART PERFORMANCE SPECIFICATIONS
2. OVAL FIR TREE CLIP MEETS ALL USCAR-44 SPECIFICATIONS
3. PARTS ARE NOT SOLD SEPARATELY AND ARE BOXED AS A KIT.
4. PARTS BOXED UNASSEMBLED.

ITEM#	SKU #	DESCRIPTION	MATERIAL	COLOR
A	20309-HHBN	OVAL FIR TREE CLIP, STD CT, HI HEAT	PA66 IMHS	BROWN
B	08402-HHBN	7.5" CABLE TIE, STD, HI HEAT	PA66 IMHS	BROWN

<b>APPROVALS:</b>	ENG. APPR.	<i>D. Gilbertson</i>	05.17.21
	Q.A. APPR.	<i>R. Estano</i>	05.17.21



FASTENER DIVISION  
 FITCHBURG, MA 01420 U.S.A.  
 TEL. 1-800-225-5913  
 FAX. 978-353-8157

**SPECIFIED TOLERANCES ARE:**

.XX ± .03 INCHES	.X ± .7 mm
.XXX ± .010 INCHES	.XX ± .25 mm
ANGULAR: ± 2°	

MATERIAL	SEE TABLE
COLOR	SEE TABLE

DESCRIPTION	OVAL FIR TREE CLIP, 2 PIECE, STD CT, HI HEAT	
STOCK NO.	<b>20299-HHBN</b>	REV. <b>A</b>

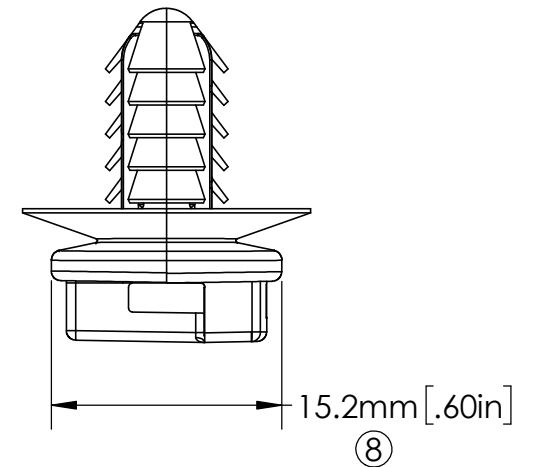
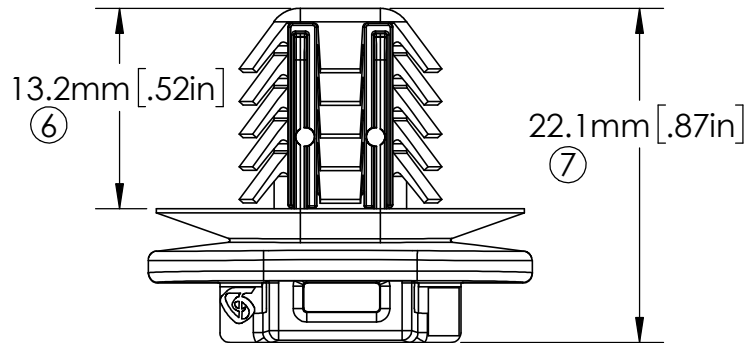
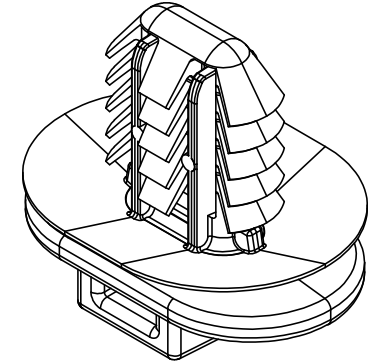
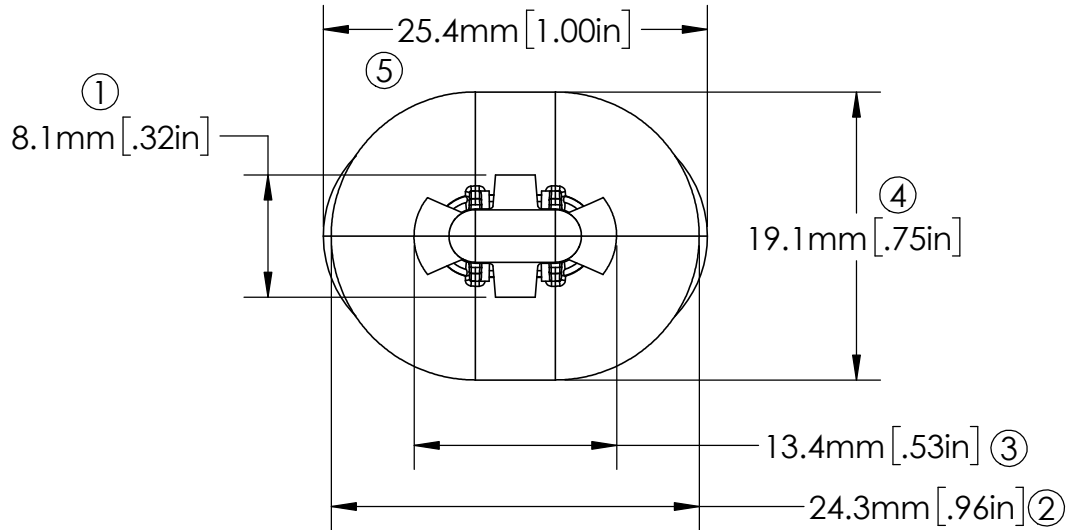
CLIP & CT ASSY WEIGHT:	3.3g
PACKAGING:	PACKED SEPARATELY IN ONE BOX 1000 CLIPS/BAG, 1/BOX 100 CT/BAG, 10/BOX

# AVERY DENNISON MARKETING SPECIFICATION

© 2021 AVERY DENNISON CORPORATION. ALL RIGHTS RESERVED

## HISTORY

REV	DATE	DESCRIPTION
A	05.17.21	RELEASED



NOTES:

1. SPECIAL CHARACTERISTICS ARE DENOTED BY A  $\Delta$
2. OVAL FIR TREE CLIP MEETS ALL USCAR-44 SPECIFICATIONS

9

$\Delta$ FLAMMABILITY: HB RATING PER FMVSS302 MOUNTING: 6.2mm X 12.2mm ; 6.5mm X 12.5mm ; 6.5mm X 13.0mm ; 7.0mm X 12.0mm THICKNESS OF 0.6mm TO 7.0mm INSERTION: 10lbf / 44.5N MAX EXTRACTION: NOM. FORCES: >40lbf / 178N MIN OPERATING TEMP RANGE: -40°F (-40°C) TO 302°F (150°C) CONTINUOUS AND 329°F (165°C) AT MAXIMUM EXPOSURE OVAL FIR TREE CLIP WGT: 2.1g PACKAGING: 1000 CLIPS/BAG, 1/BOX	<b>APPROVALS:</b> ENG. APPR. <i>D. Gilbertson</i> 05.17.21 Q.A. APPR. <i>R. Estano</i> 05.17.21	FASTENER DIVISION FITCHBURG, MA 01420 U.S.A. TEL. 1-800-225-5913 FAX. 978-353-8157	
			SPECIFIED TOLERANCES ARE: .XX ± .03 INCHES .X ± .7 mm .XXX ± .010 INCHES .XX ± .25 mm ANGULAR: ± 2°

5

4

3

2

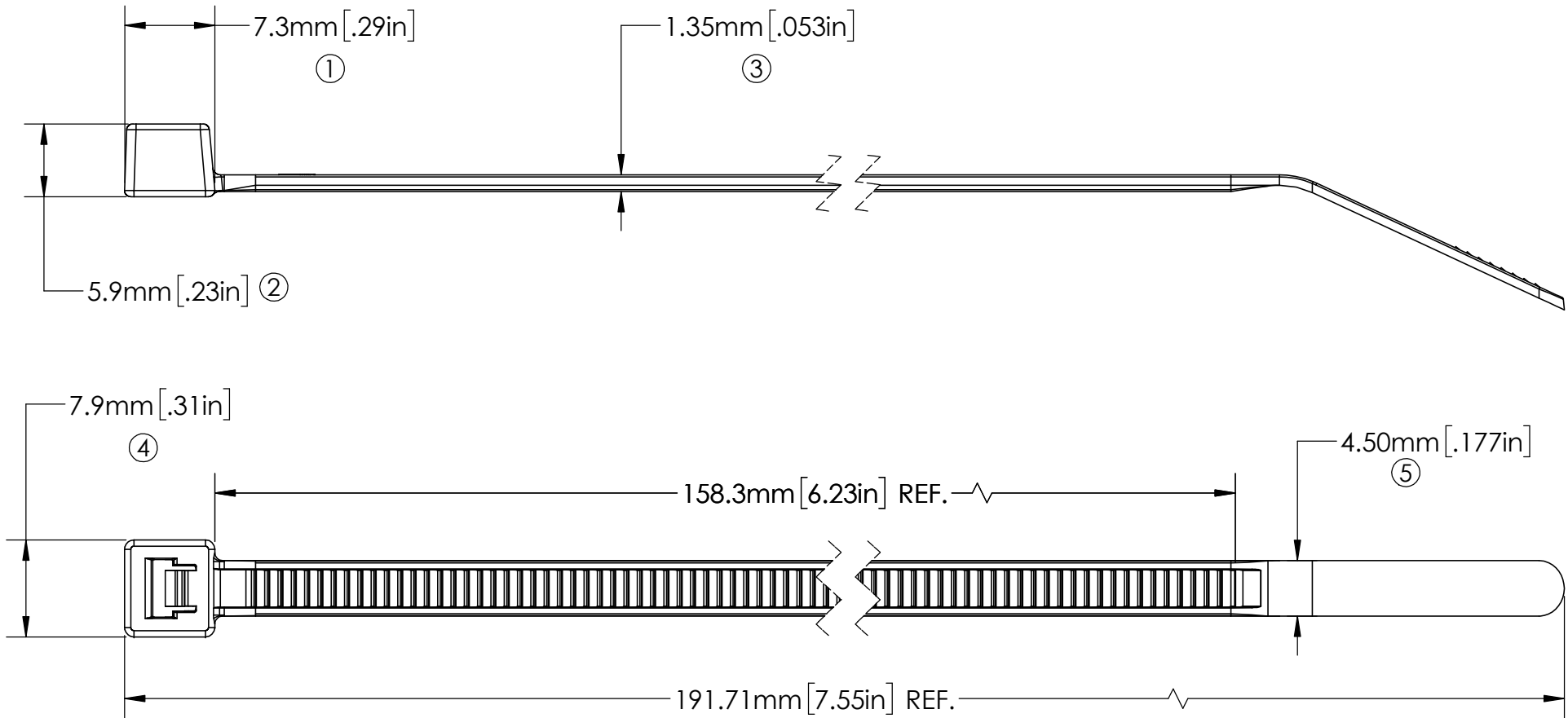
1

# AVERY DENNISON MARKETING SPECIFICATION

© 2019 AVERY DENNISON CORPORATION. ALL RIGHTS RESERVED

## HISTORY

REV	DATE	DESCRIPTION
A	02.27.17	RELEASED



⑥	△ LOOP TENSILE:	50 lbf / 220N MIN.
⑦	△ FLAMMABILITY:	HB RATED PER FMVSS302
	OPERATING TEMP RANGE:	-40 °F (-40 °C) TO 302 °F (150 °C) CONTINUOUS AND 329 °F (165 °C) AT MAXIMUM EXPOSURE
	MIN INSTALLATION TEMP:	32°F (0°C)
	WEIGHT:	1.2g/.04 oz
	BUNDLE DIAMETER:	∅ 1.59mm TO ∅ 44.5mm
	TOOL:	12001 - HAND TOOL 12500 - PNEUMATIC TOOL
	TOOL TENSION SETTING:	6 - 8
	PACKAGING:	1000/BAG, 5000/CASE

### NOTES:

- SPECIAL CHARACTERISTICS ARE DENOTED BY A △

<b>APPROVALS:</b>	ENG. APPR.	<i>K. Fossey</i>	02.27.17
	Q.A. APPR.	<i>C. Vaillancourt</i>	02.27.17

SPECIFIED TOLERANCES ARE:	
.XX ± .03 INCHES	.X ± .7 mm
.XXX ± .010 INCHES	.XX ± .25 mm
ANGULAR: ± 2°	

MATERIAL	NYLON66, IMPACT MODIFIED, HEAT STABILIZED
COLOR	BROWN

**AVERY DENNISON** FASTENER DIVISION  
FITCHBURG, MA 01420 U.S.A.  
TEL. 1-800-225-5913  
FAX. 978-353-8157

DESCRIPTION	7.5" CABLE TIE, STD, HI HEAT
STOCK NO.	<b>08402-HHBN</b>
REV.	<b>A</b>